



Made in the U.S.A.!

Installation Instructions

Ford Super Duty Large Frame Winch Mount with Pre-Runner

Product Number: N2560

Application: 2011+ Ford Super Duty

SAFETY

Your safety and the safety of others is very important.

- In order to help you make informed decisions about safety, we have provided installation instructions and other information.
- These instructions alert you to potential hazards that could hurt you or others.
- Please do a job safety analysis (JSA) before each task to identify potential hazards for your situation and remove/protect against them.
- You must use your own good judgment, and take your time.
- **Read and understand all safety precautions and instructions before installing this product.**
- ALL LIABILITY FOR INSTALLATION AND USE OF THIS PRODUCT RESTS WITH THE OWNER.
- **CARELESS INSTALLATION AND OPERATION CAN RESULT IN SERIOUS INJURY OR EQUIPMENT DAMAGE.**

Injury Hazard

Failure to observe these instructions could lead to severe injury or death.

- Always** remove jewelry and wear eye protection.
- Always** use extreme caution when jacking up a vehicle for work. Set emergency brake and use tire blocks. Locate and use the vehicle manufacturers designated lifting points. Use jack stands.
- Always** use appropriate and adequate care in lifting components into place.
- Always** insure components will remain secure during installation and operation.
- Always** wear safety glasses when installing this kit.
- Always** use extreme caution when drilling on a vehicle. Thoroughly inspect the area to be drilled (on both sides of material) prior to drilling, and relocate any objects that may be damaged.
- Always** use extreme caution when cutting and trimming during fitting.
- Always** tighten all nuts and bolts securely per the installation instructions.
- Always** route electrical cables carefully. Avoid moving parts, components that become hot and rough or sharp edges.
- Always** insulate and protect all exposed wiring and electrical terminals.
- Always** perform regular inspection and maintenance on mounts and related hardware.

Operating Safety

- NEVER stand on the Winch Mount while the vehicle is in motion.
- Clean mud and debris off of Winch Mount prior to winch operation.

Patent Notes:

There is one or more patent pending that covers this vehicle Winch Mount assembly. Making or selling reproductions of the Winch Mount without prior written permission from Fab Fours Inc. is prohibited, except as allowed under the U.S. patent laws.

I. Tools Required

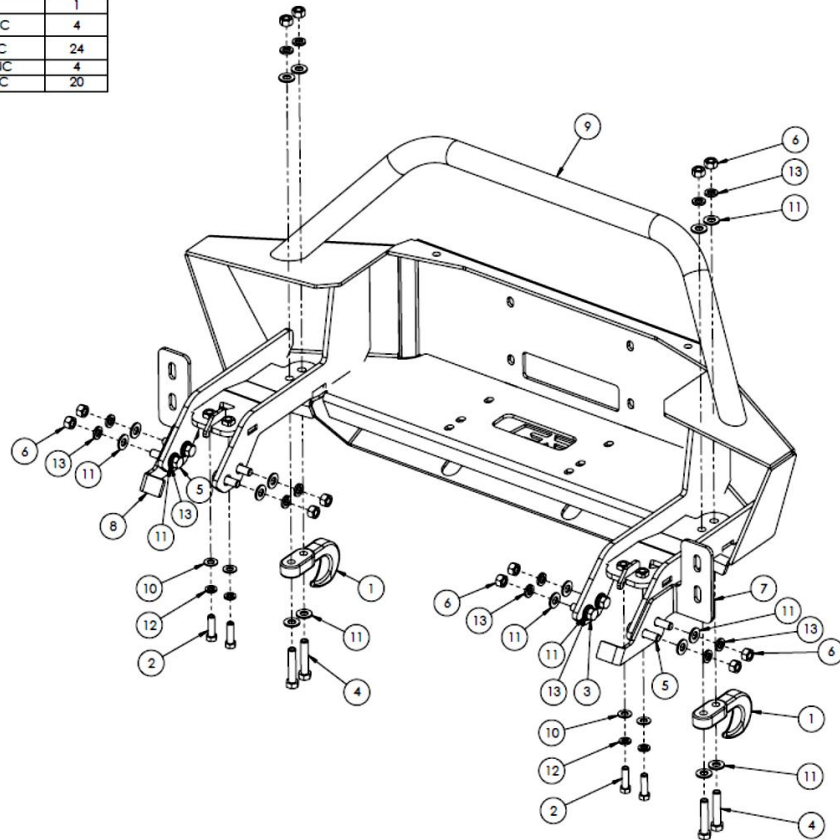
1/2" Drive Socket Wrench with 3" Extension, socket set, 1/2" Drive Torque Wrench and a wrench set.

II. Kit Contents

QTY	DESCRIPTION	FAB FOURS PART NUMBER
x 1	Winch Mount	N2560-W
x 2	Tow Hook	61366
x 1	N2550 Hardware Kit	N2550-HW
x 1	N2560 Ford Super Duty Instruction Manual	N2560-IM
x 1	N2550 Factory Bumper Mount Bracket PS	N2550-30
x 1	N2550 Factory Bumper Mount Bracket DS	N2550-31

III. Included Hardware

ITEM NO.	PART NUMBER	DESCRIPTION	TOP LEVEL ASSY/QTY
1	61366	STANDARD TOW HOOK	2
2	HBOLT 0.4375-1.4x1.5x1.5-N	7/16"-14 x 1.5" HEX BOLT, Gr.8, ZINC	4
3	HBOLT 0.5000-1.3x1.5x1.5-N	1/2"-13 x 1.5" HEX BOLT, Gr.8, ZINC	4
4	HBOLT 0.5000-1.3x2.5x1.25-N	1/2"-13 X 2.5" HEX BOLT, Gr.8, PARTIALLY THREADED, ZINC	4
5	HBOLT 0.5000-1.3x2x2-N	1/2"-13 X 2" HEX BOLT, Gr.8, ZINC	4
6	HNUT 0.5000-1.3-D-N	1/2"-13 HEX NUT, Gr.8, ZINC	12
7	N2550-30	N2550 FACTORY BUMPER MOUNT BRACKET PS	1
8	N2550-31	N2550 FACTORY BUMPER MOUNT BRACKET DS	1
9	N2560-W	N2560-W	1
10	Preferred Narrow FW 0.4375	7/16" FLAT WASHER, ZINC	4
11	Preferred Narrow FW 0.5	1/2" FLAT WASHER, ZINC	24
12	Regular LW 0.4375	7/16" LOCKWASHER, ZINC	4
13	Regular LW 0.5	1/2" LOCKWASHER, ZINC	20



IV. Removal of OEM tow hooks

1. From the front of the vehicle, unscrew the four captive main bumper mounting bolts. It is a good idea to support the OEM bumper during this process.
2. From underneath the vehicle, unbolt the under-run guards (if present) from the frame rail ends using an 18mm socket.
3. Using a 15mm socket, remove the OEM tow hooks/bumper supports by unscrewing the two bolts in each.

NOTE: Set aside any hardware removed as it may be re-used when installing the winch mount.

V. Installation of Fab Fours Winch Mount

1. Review the exploded parts view above
2. Loosely install the provided bumper mounting brackets inside the back of the OEM bumper using OEM fasteners. Do not reinstall hardware into the frame rails at this time.
3. Install the large frame winch (Customer Supplied).
4. With the aid of a lifting device or additional helpers, lift the winch mount and position it so that the mounts align with the holes in the factory bumper.
5. Carefully slide the Winch mount through the factory bumper.
6. Install the included 7/16" hardware through the bottom of the winch mount holes.
7. Install the included 1/2" hardware through holes in the sides of the winch mount brackets, including the bumper mounting brackets.
8. Before completely tightening hardware, check for satisfactory alignment.
9. Torque all bolts to 106 Foot-Pounds.