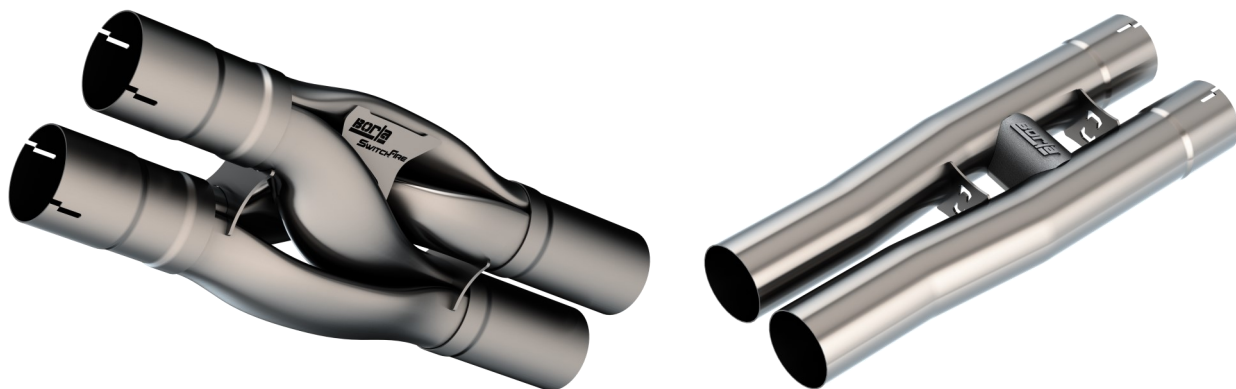


## Installation Guide for Ford Mustang 5.0L Hydroformed SwitchFire & H-Pipe Replacements

PNs: 60748 & 60753



**\*\*\*\*\* Please compare the parts in the box with the bill of materials provided \*\*\*\*\*  
to assure that you have all the parts necessary for this installation.**

These instructions have been written to help you with the installation of your Borla Performance exhaust system. Please read this document completely before beginning the installation of your system.

To ensure this part number fits your specific model year, please visit our website for the latest model year listings at [www.BORLA.com](http://www.BORLA.com)

Thank you for purchasing a Borla Performance exhaust component.

Borla Performance Hydroformed SwitchFire Replacement PN 60748 is designed to replace X-Pipe PN 55550 found in Borla Cat-Back Systems for the Ford Mustang GT and Mustang Dark Horse equipped with a 5.0L V8 naturally-aspirated engine and RWD automatic or manual transmission.

Borla Performance H-Pipe Replacement PN 60753 is designed to replace X-Pipe PN 55550 found in Borla Cat-Back Systems for the Ford Mustang GT and Mustang Dark Horse equipped with a 5.0L V8 naturally-aspirated engine and RWD automatic or manual transmission.

**These components will only work with all variants of PNs 140742, 140743, 140745, 140746, 140960, 140961, 140962, 140963, 140964, 140965, 140969, & 140970.**

Borla Performance Industries recommends that an exhaust shop or professional after market parts installer, who has all the necessary equipment, tools and experienced personnel needed for proper installation, should perform the installation of this system. However, if you decide to perform the installation, we recommend someone should help you. Ensure the installer uses all under car safety precautions including eye protection.

*Please take time to read and understand the following...*

By installing your Borla Performance exhaust system, you indicate that you have read this document and you agree with the terms stated below.

It is the responsibility of the purchaser to follow all installation instruction guidelines and safety procedures supplied with your Borla Performance exhaust system.

Borla Performance Industries assumes no responsibility for damages occurring from misuse, abuse, improper installation, improper operation, lack of responsible care, or all previously stated reasons resulting from incompatibility with other manufacturer's products and/or systems. Included with your Borla Performance exhaust system is a warranty card. Please read it carefully before you begin any work on your vehicle. If you should have any questions regarding our warranty policy, installation, or any other matter pertaining to your new Borla Performance exhaust system, please give us a call at the number provided on the warranty card.

**Minimum Required Tool List:**

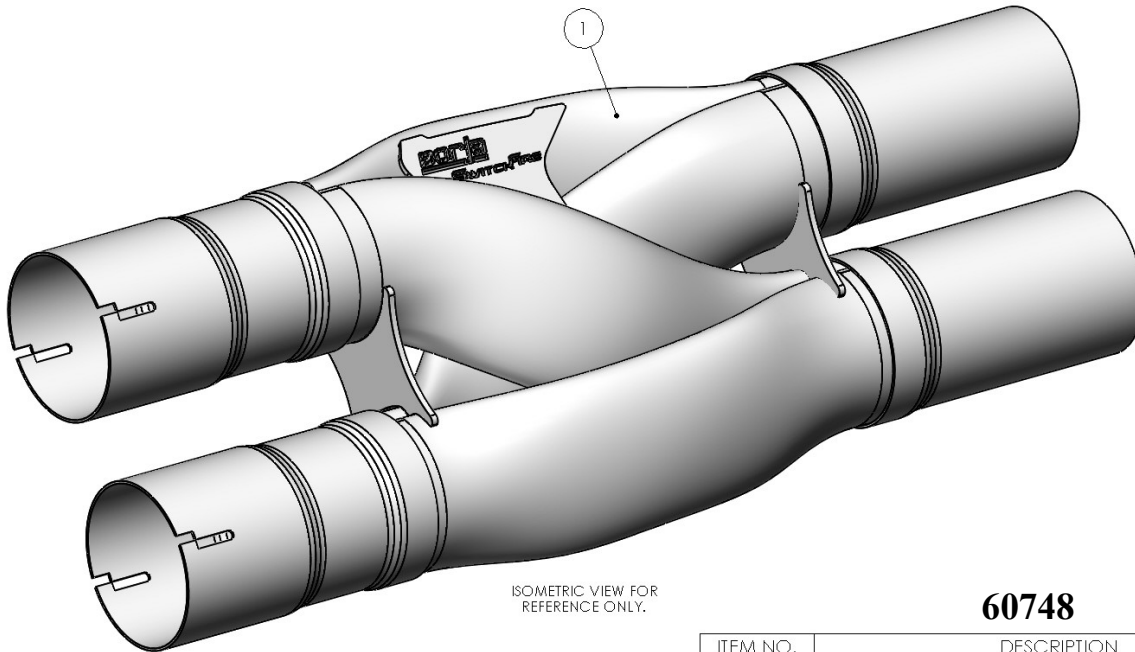
**TOOLS:**

1. 3/8" drive ratchet
2. 3/8" drive extension 6"
3. 15mm deep well socket

**SHOP SUPPLIES:**

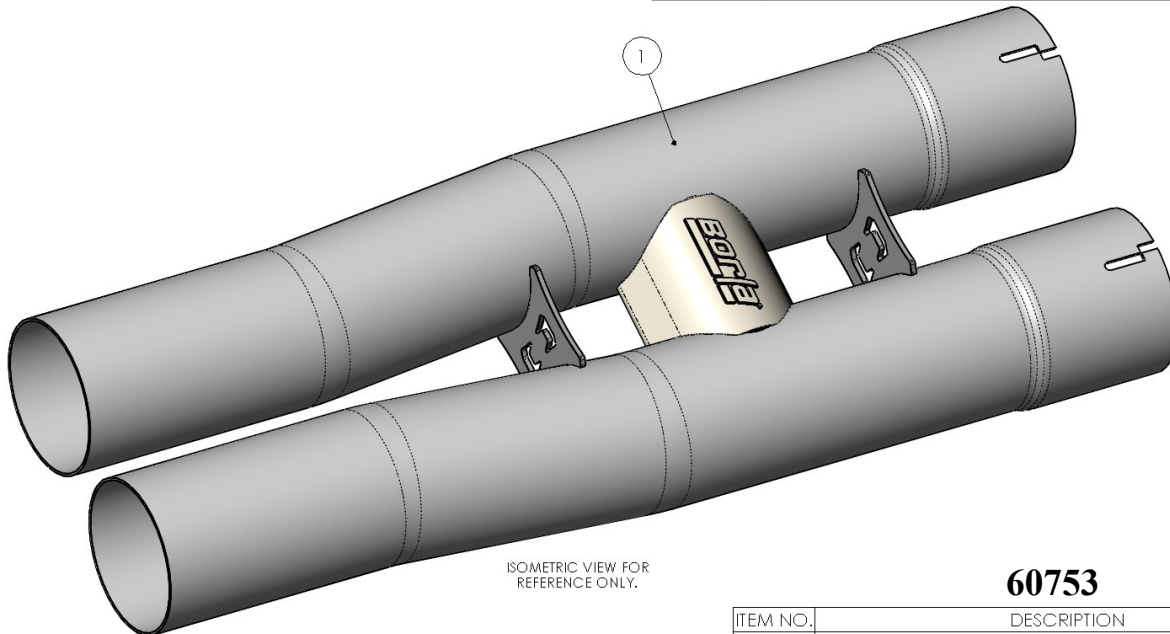
1. Spray lubricant

**Borla Performance - Bill of Materials**



**60748**

ITEM NO.	DESCRIPTION	QTY.
1	HYDROFORMED SWITCHFIRE ASSEMBLY	1



**60753**

ITEM NO.	DESCRIPTION	QTY.
1	H-PIPE ASSEMBLY	1