



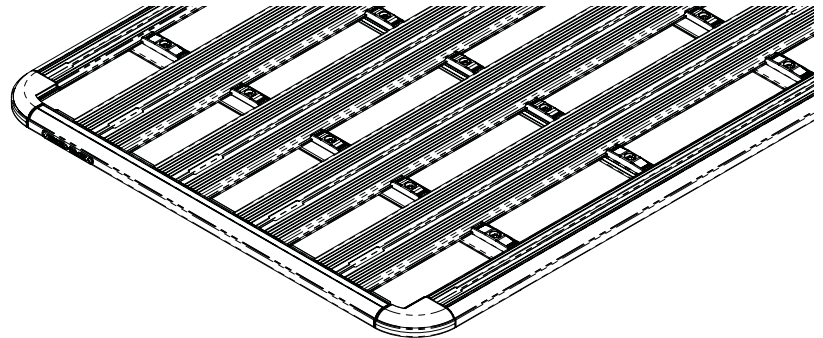
**CONTROLLED**

# RHINO-RACK

## Rhino Pioneer SXB Conversion Kit (VA) (43246 & 43247)

Place these instructions in the vehicle's glove box after installation is complete.

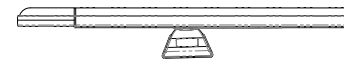
**Important:** Please read these instructions carefully prior to installation.  
Check the contents of this kit before commencing fitment and report any discrepancies.  
Place these instructions in the vehicle's glove box after installation is complete.



### Pioneer Platform Not Included

You must purchase one of the following platform models to be used with this kit:

Kit	Suits Platform
43246	42100B & 42102B
43247	42101B & 42103B



**Care Instruction:** Wash vehicle rails prior to installing Rhino Pioneer SXB Platform.

### Important Information

**Maximum carrying capacity:** Refer vehicle manufacturer specifications, less weight of alloy tray below (includes leg kits):  
(42100B = 19.5kg, 42101B = 22.5kg, 42102B = 25kg, 42103B = 29.5kg)

#### Recommendations:

It is essential that all bolt connections be checked after driving a short distance when you first install your cross bars. Bolt connections should be checked again at regular intervals (probably once a week is enough, depending on road conditions, usage, loads and distances travelled). You should also check the alloy tray each time it is re-fitted. Make sure to fasten your load securely. Please ensure that all loads are evenly distributed and that the centre of gravity is kept as low as possible.

**Use only non-stretch fastening ropes or straps.**

#### Sensitivity to cross winds, behaviour in curves and braking.

The handling characteristics of the vehicle, changes when you transport a load on the roof. For safety reasons, we recommend you exercise extreme care when transporting wind-resisting loads; special consideration must be taken into account when braking.

**Please remove cross bars when putting vehicle through an automatic car wash.**

#### Load Ratings:

Maximum permissible load is set by the vehicle manufacturer less the weight of trays above (weights above include leg kits). When alloy trays are to be used in off-road conditions, please build a safety factor of 1.5 into this load limit. Although the alloy trays are tested and approved to AS1235-2000, Australian road conditions can be much more rigorous. However, increasing the number of mount points to the vehicle does not increase the vehicles maximum permissible roof loading.

#### Note for Dealers and Fitters:

It is your responsibility to ensure instructions are given to the end user or client.

Rhino-Rack  
3 Pike Street, Rydalmere,  
NSW 2116, Australia.  
(Ph) (02) 9638 4744  
(Fax) (02) 9638 4822

Document No: R1312  
Prepared By: Nigel Greig  
Authorised By: Chris Murty

Issue No: 04  
Issue Date: 02/06/2017

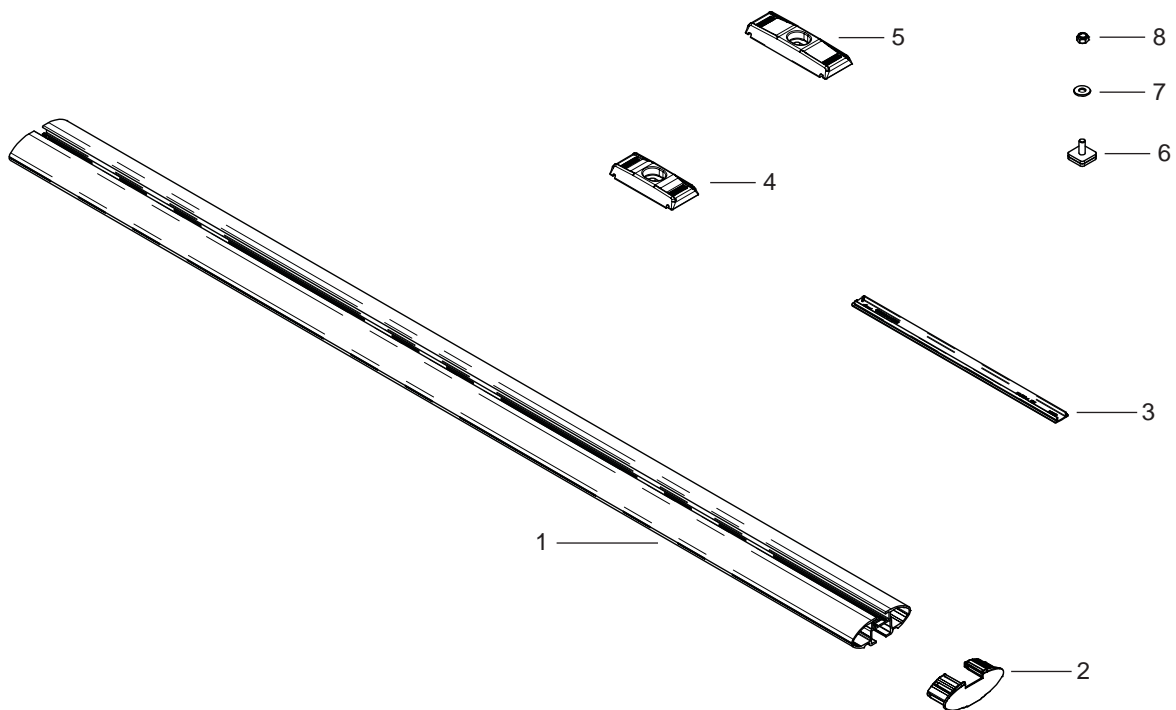
These instructions remain the property of Rhinorack Australia Pty Ltd and may not be used or changed for any other purpose than intended.



## Rhino Pioneer SXB Conversion Kit

### Parts List

Item	Component Name	Part No.	Quantity	
			43246	43247
1	Crossbar	A837/A838	2	2
2	Pioneer SXB Endcap	M562-VA	4	4
3	Under Bar Strip	M641	4	4
4	Plastic Locking Tab - Centre	M753	6	8
5	Plastic Locking Tab - Side	M754/M756	4 (M754)	4 (M756)
6	M6 x 15mm T-Bolt (with foam tape)	B260	10	12
7	M6 x 16mm Flat Washer	W031-BLK	10	12
8	M6 Nyloc Nut	N069	10	12
9	Fitting Instructions	R1312	1	1



### Tools Required

Tape Measure  
Stanley Knife or Cutters  
Rubber Mallet  
Ratchet  
10mm Socket



## Rhino Pioneer SXB Conversion Kit

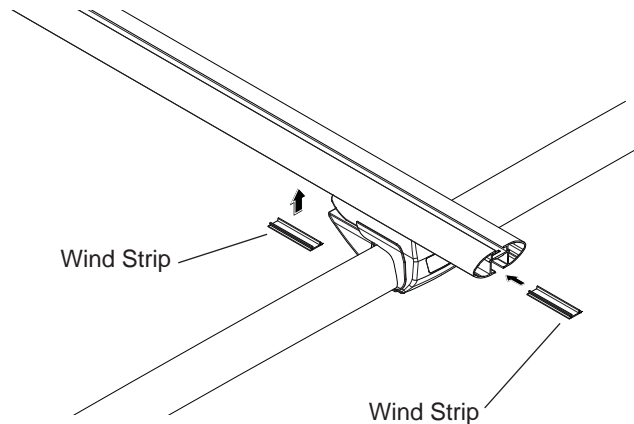
### 1 Fit SXB Legs and Crossbars to Vehicle

Refer to the fitting instructions provided with the SXB leg kit and proceed to fit the crossbars to the vehicles rails.

For crossbar locations refer to the Pioneer Fitting Chart for your vehicle.

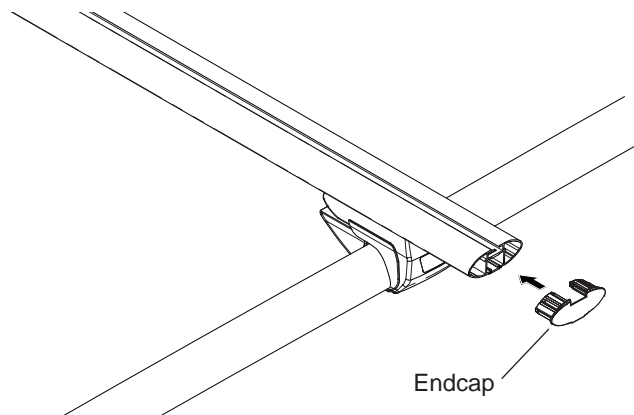
### 2 Cut and Insert Wind Strips

Measure the gaps underneath the crossbar on either side of the legs and cut the wind strips to the appropriate size. Insert the wind strips as shown below.



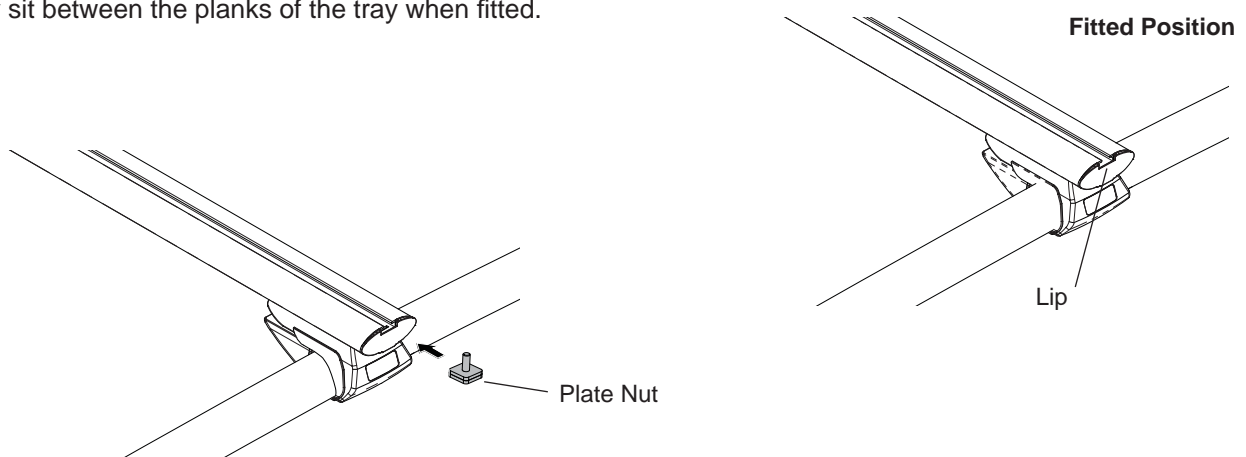
### 3 Insert Endcaps into Crossbars

Insert the endcaps into the ends of each crossbar as shown below. You may need to use a rubber mallet.



### 4 Insert T-Bolt into C Channel

Insert T-Bolts into each end of the crossbars sliding it over the lip on the endcap. Once inserted slide the T-Bolts to roughly sit between the planks of the tray when fitted.

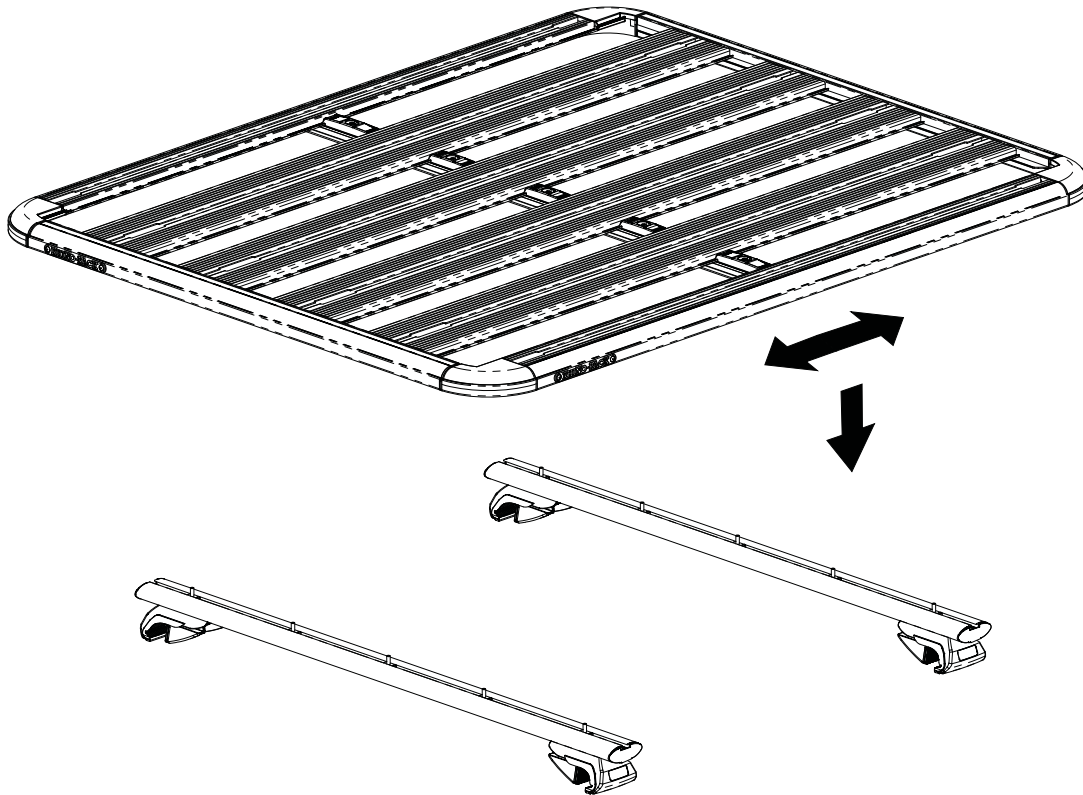




## Rhino Pioneer SXB Conversion Kit

### 5 Lower Pioneer Tray onto Crossbars

Lower Pioneer Alloy Tray onto the crossbars. The crossbars should sit within the tray and the T-Bolts should be sitting in between the planks. Slide the tray forwards or backward to position the tray on the vehicle.



### 6 Fix Planks to Crossbars using Plastic Tabs

Lower the plastic tabs over the T-Bolts as shown so that the plastic tabs bridge from plank to plank. Using a Ratchet and 10mm Socket tighten the hardware to secure the tabs in position.

