



n-fab.com

a TRUCK HERO
company

nfabinc f t

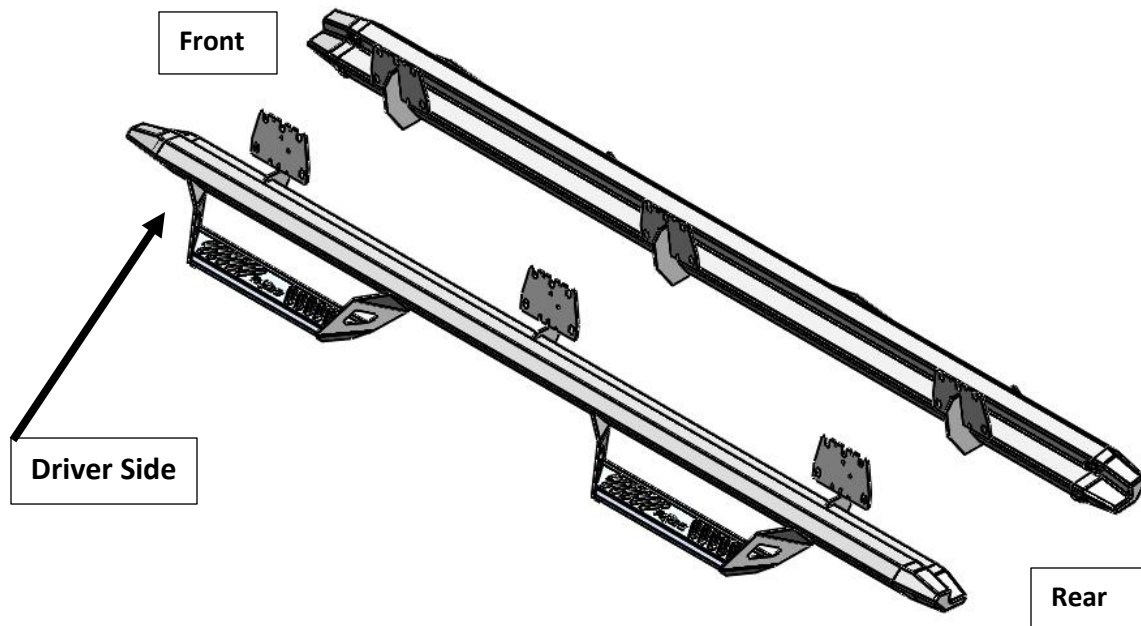
PART NUMBER: PRD1977CC-TX
PRODUCT: ALUMINUM HOOP STEP
APPLICATION: 2019-C RAM 1500 CREW CAB

PREDATOR PRO



HARDWARE DESCRIPTION	QTY.
Kit # HWKT-00031X	
M8-1.25 HX FLANGED NUT	18

Step 1: Identify Driver and Passenger side Nerf-step.



Step 2: Starting with the driver side, remove any steps and old hardware from the vehicle.



Step 3: On the inside rocker panel there will be three attachment points consisting of three 8mm studs coming out from the panel. These studs may be covered in paint and will need to be cleaned before the installation.



Step 4: Carefully install the Predator Pro step to the three factory attachment points using the provided M8 flanged hex nuts. Leave finger tight for now.





PART NUMBER: PRD1977CC-TX
PRODUCT: ALUMINUM HOOP STEP
APPLICATION: 2019-C RAM 1500 CREW CAB

Step 5: Next, adjust the step up snug and parallel with the cab of the vehicle and tighten all rocker panel brackets to 30 ft/Lbs. *DO NOT USE POWER TOOLS.*



Step 6: Re-peat steps 3-5 with passenger side. This will complete your install.