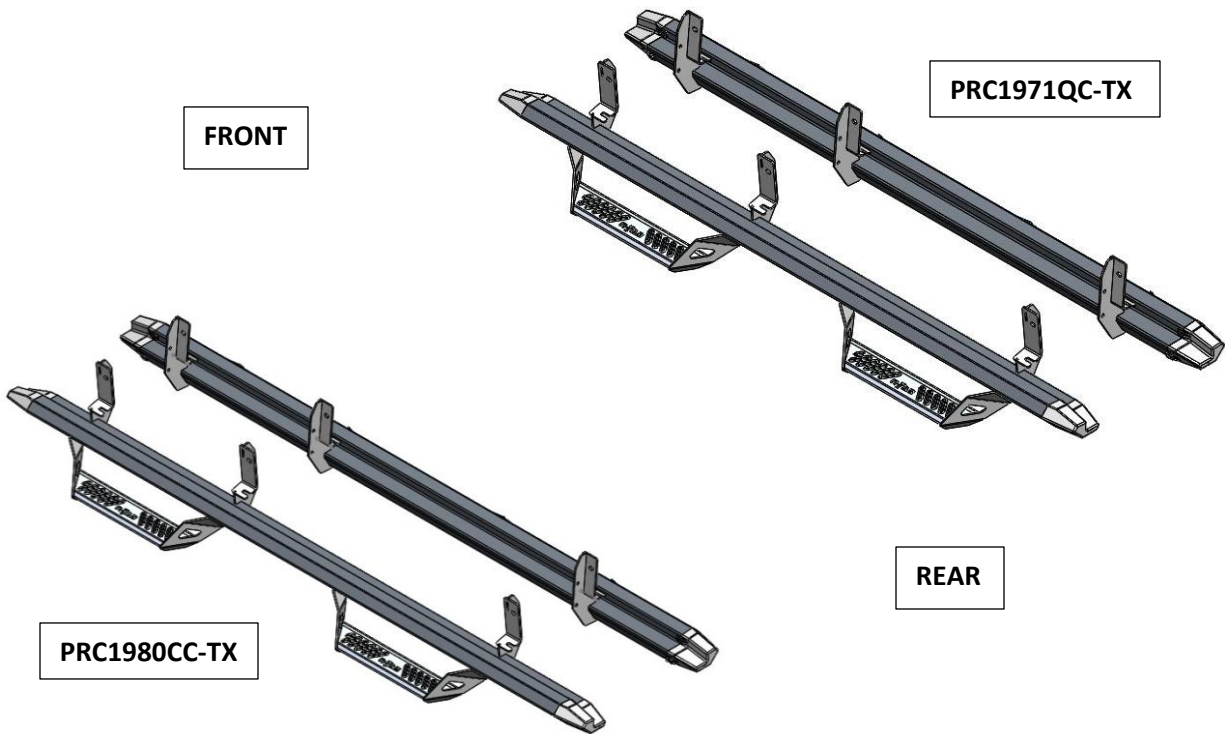


# PREDATOR PRO



HARDWARE DESCRIPTION	QTY.
HWKT-03054X	1
M8X30mm Hex Cap with washer	12

**Step 1:** Identify Driver and Passenger side Nerf-step.



**Step 2** Using the supplied (x3) M8x30mm Hex bolts, start all three of the lower threaded mounts first with just a couple of turns.

**Step 3** Next, Carefully raise the Step up into position sliding the lower portion of the bracket on to all three bolts and loosely fasten.

**Step 4** Next, start all remainder hardware in the upper locations and leave loose.

**Step 5** After final adjustment, tighten the lower mounts first then the upper mounts.

**Step 6:** Repeat steps 2-5 for the passenger side.

