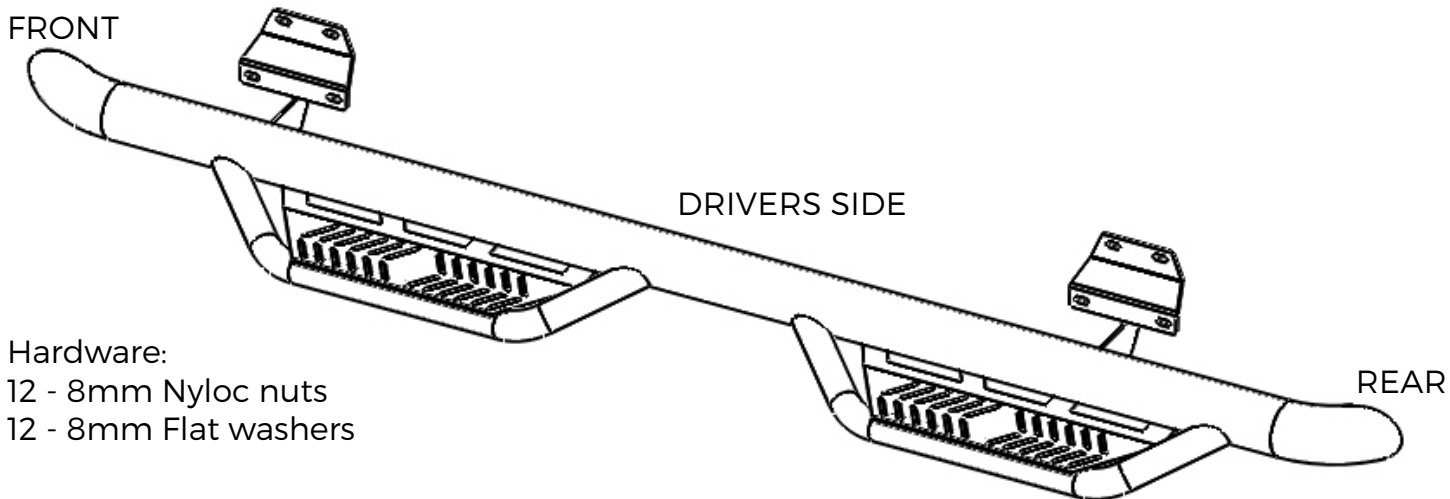


Installation Instructions:

N-Fab Podium Nerf-Steps

HPF1577QC-TX / HPF1577QC-SS

FORD
2015-2016
F-150 SUPER CAB



Hardware:
12 - 8mm Nyloc nuts
12 - 8mm Flat washers

STEP 1:

Identify the driver and passenger bars. One mounting bracket is centered to the step and the other is in front of the step. The one in front of the step goes towards the front of the truck.



STEP 2:

Each mounting bracket consist of 4 mounting holes, you will use 3 of the holes to mount each bracket to the truck. You will notice the top stud is to the right on some and to the left on others.



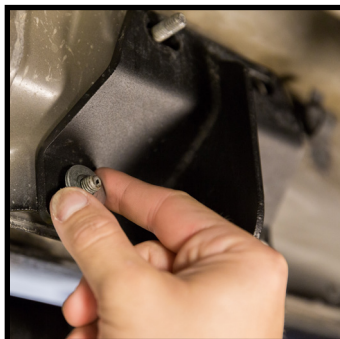
STEP 3:

Remove OE boards if equipped then locate mounting studs. Clean any dirt and debris from mounting studs and location.



STEP 4:

Carefully place step onto the studs. Add washers and begin hand tightening nuts. Best to have a assistant to lift and hold board in place.



STEP 5:

Begin tightening nuts in a alternating pattern. **Avoid using power or air tools.** Over tightening could stripe or break the OE studs.



STEP 6:

Tighten to 20ft lbs torque to secure the board to the truck. Repeat the same procedure to the other side.

