



OUTLAW[®]

S E R I E S

Installation Instructions

818110

2007-18 JEEP WRANGLER JK 3.6L & 3.8L ENGINE

OVERVIEW:

1. Take a moment to read and understand these instructions before installing your Flowmaster performance system.

NOTE: Please inventory all parts now before continuing and if necessary, report any missing items to our tech line. This will avoid potentially stranding your vehicle until any missing replacement parts arrive.

ITM #	PART #	DESCRIPTION	QTY.
1	26826M	Inlet Pipe	1
2	815430-566	Muffler Assembly - Black	1
N/A	PK1053	Hardware Package includes:	1
3	MC250BS	2½" Stainless Band Clamp	1
4	MC300BS	3" Stainless Band Clamp	1
5	HW503	½" Hanger Keeper	3

REMOVE STOCK EXHAUST SYSTEM:

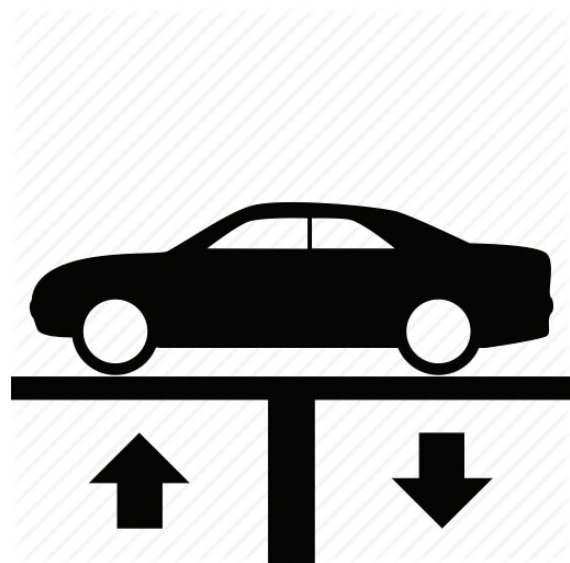
2. Raise vehicle up on a hoist or rack to working height. If you don't have access to a hoist or rack, support vehicle with jack stands.

WARNING:

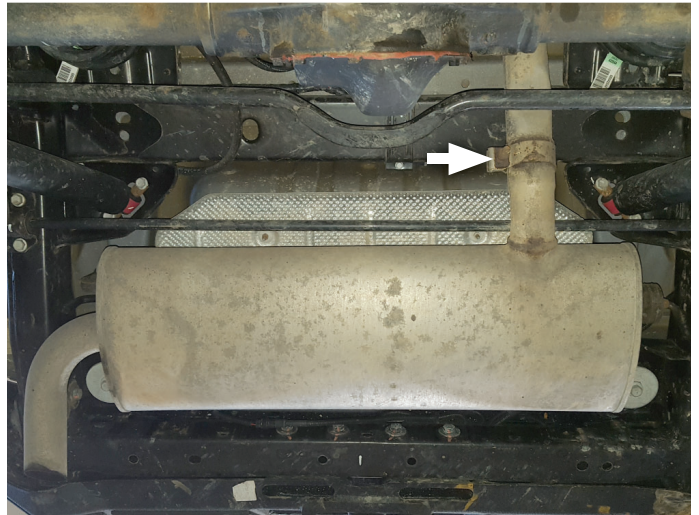
Avoid serious burns! Allow your vehicle time to cool completely before touching any factory engine components.

To ease preparation and installation of your new kit:

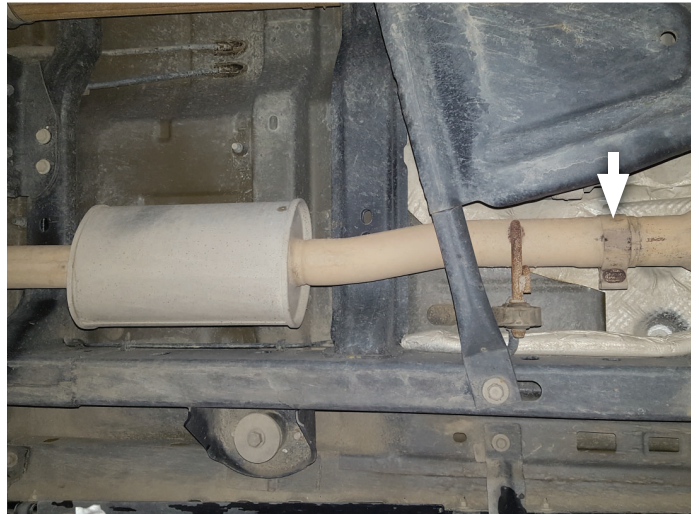
- Apply penetrating lubricant to mounts, bolts and clamps before you remove them.
- Use stands as necessary to support parts as you detach them from your vehicle and again as you install new parts.



- Support muffler and disassemble hanger wires from isolators. Loosen clamp then disconnect and remove muffler section from vehicle.



- Loosen clamp from resonator inlet, disassemble hanger wires from isolators and remove resonator section from vehicle.

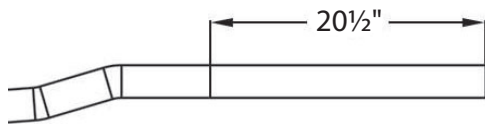


INSTALL FLOWMASTER EXHAUST SYSTEM

- Remove nuts from stock and Flowmaster clamps, apply anti-seize compound to bolts and re-install nuts.

NOTE: The image in this step is intended for illustrative purposes only and may or may not accurately reflect components included in your kit.

NOTE: For **2-door models only**, trim 20½" from inlet pipe.

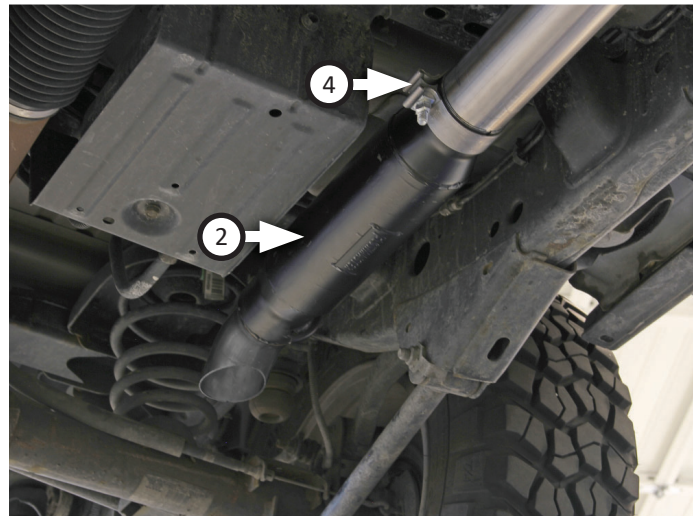


- Place **clamp (3)** onto **inlet pipe (1)** then connect it to catalytic converter, lining inlet pipe notch up to front pipe tab and fitting wire hanger into isolator. Tighten clamp enough to allow for adjustment.

NOTE: The inlet pipe is equipped with 2 wire hangers to work for multiple model years. Use the proper wire hanger so that your inlet pipe installs as shown below.



- Place **clamp (4)** onto **muffler (2)** then connect it to inlet pipe. Tighten clamp just enough to allow for adjustment.
- Adjust exhaust components for fit; maintaining 1/2" clearance and compensating for suspension, travel and vibration, then tighten all clamps.
- Secure exhaust system by fitting (x2) **hanger keepers (#)** onto each wire hanger.
- Recommended: Secure slip-fit connections with a 1-inch tack weld then spray high-temp paint over each weld to prevent rust and premature corrosion.



Congratulations, the installation of your FLOWMASTER performance exhaust system is now complete!





OUTLAW

S E R I E S

Installation Diagram
818110
2007-18 JEEP WRANGLER JK
3.6L & 3.8L ENGINE

